

SONY

Remote Commander

RM-V202

Operating Instructions
Manual de instrucciones (parte posterior)

© 2003 Sony Corporation Printed in China

English

For the customers in the U.S.A.

WARNING

This equipment has been tested and found to comply with the limits for a Class B digital device, pursuant to Part 15 of the FCC Rules. These limits are designed to provide reasonable protection against harmful interference in a residential installation.

- Reorient or relocate the receiving antenna.
• Increase the separation between the equipment and receiver.
• Connect the equipment into an outlet on a circuit different from that to which the receiver is connected.
• Consult the dealer or an experienced radio/TV technician for help.

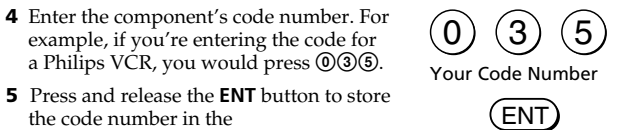
Setting Up the Remote Commander

About Presetting the Commander
The Commander is preset at the factory to operate Sony brand components.
If you're using the Commander with a Sony component, you won't need to preset the Commander before you start using it.

Table with 3 columns: Component that can be preset, Button, Factory setting. Rows include TV, VCR, Analog cable box/Digital cable box, Digital satellite receiver/DVD/TV/VCR/Digital video recorder/DAV.

- Notes
• The Commander can be set up to operate only one component per button - unless their code numbers happen to be the same.
• You may not be able to operate even a Sony brand component with the factory presetting.

3-252-842-12(1)



1 Enter the component's code number. For example, if you're entering the code for a Philips VCR, you would press 035.

Step 2: Checking if the Code Number Works

- 1 Power on the component you want to set up.
2 Aim the Remote Commander at the component and press a button to check if that button works.

You can write down the code number on the label inside the battery compartment lid.

If the Commander Doesn't Seem to Be Working...
• First, try repeating these setup procedures using the other codes listed for your component.

Searching for the Correct Code

If you've tried all the code numbers listed for your component and you still cannot get the Commander to work...

- 1 Power on the component you want to set up.
2 While pressing the SET button, press the POWER button.
3 Press the button of the component on the Commander that you want to set up.

Setting the Code

Follow the steps 1 and 2 below for each component you plan to use with the Commander.

Step 1: Entering the Code Number

- 1 See the supplied "Component Code numbers", and find the three-digit code number for the desired component.
2 While pressing the SET button, press the POWER button.
3 Press the button of the component that you want to set up.

Notes
On the CBL/SAT and DVD buttons, "cable box", and "DVD player" are assigned respectively at the factory.

Changing the Component Type on the CBL/SAT and DVD buttons

At the factory, "cable box" is assigned on the CBL/SAT button and "DVD player" on the DVD button.

- 1 While pressing the SET button, press the POWER button.
2 Press the CBL/SAT or DVD button.
3 Press and release the stop button.

4 Press and release one of the following buttons:

- 1 to assign a VCR
2 to assign a DAV
3 to assign a digital satellite receiver, a digital cable box or a digital video recorder
4 to assign a TV
5 to assign an analog cable box
6 to assign a DVD

- 5 Press and release the ENT button.
6 Enter the component's code number by following steps 2 to 6 of "Entering the Code Number", or steps 1 to 7 of "Searching for the Correct Code."

Operating a Component

- 1 Press the button of the desired component on the Commander.



- 2 Point the Commander directly at the component.
3 Press the button for the function you want to use.
See "Remote Button Descriptions" for complete descriptions of the buttons on the Commander.

Notes on Using the Remote Commander
Basically, use this Commander in the same way as the Commanders supplied with your components.

- 1 Press the button of the component you want to set up.
2 While pressing the SET button, press the POWER button.
3 Press the button of the component on the Commander that you want to set up.
4 Press and release the CH+ button.

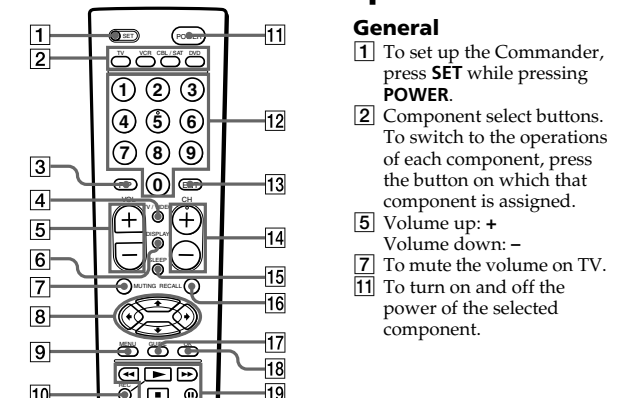
Keep trying until your component operates by receiving the transmitted signal from the Commander (e.g., the power turns off, the CH+ function works, playback starts, etc).

- 6 When the correct code is found, press the ENT button to store the code number in the Commander's memory.
7 Check that the Commander is operating the other functions of your component by pressing the corresponding buttons on the Commander.

If the component does not operate properly, repeat steps 1 to 6 and search for another code.

If you still cannot get the Commander to work properly, see "Troubleshooting."

Remote Button Descriptions



- General
1 To set up the Commander, press SET while pressing POWER.
2 Component select buttons.
3 To switch to the operations of each component, press the button on which that component is assigned.

- 4 To change the input mode.
5 To change the channel.
6 To move the cursor upward, downward, to the left, or to the right.
7 To call up the MENU display.
8 To change the channel.
9 To call up the MENU display.
10 To record, press while pressing REC.

- 14 Channel up: +
15 Channel down: -
16 To operate SLEEP function on the TV.
17 To operate JUMP, FLASHBACK or CHANNEL RETURN function on the TV.
18 To turn off the "window" picture or select a drive.

- PIP operations
Press To
PIP Turn on/off the "window" picture.
GUIDE Turn off the "window" picture.
4 or 5 Change the TV channel in the "window" picture.

- 12 and 13 To change the channel.
14 Channel up: +
15 Channel down: -
16 To operate JUMP, FLASHBACK or CHANNEL RETURN function on the TV.
17 To turn off the "window" picture or select a drive.

- 12 To switch the antenna output.
13 To expose the on-screen display.
14 To move the cursor upward, downward, to the left, or to the right.

- 15 To change the channel.
16 To move the cursor upward, downward, to the left, or to the right.
17 To call up the MENU display.
18 To enter the setting menu.

- 19 To play.
20 To stop.
21 To rewind.
22 To fast-forward.
23 To record, press while pressing REC.

- 24 To switch the antenna output.
25 To expose the on-screen display.
26 To move the cursor upward, downward, to the left, or to the right.

- 27 To call up the MENU display.
28 To enter the setting menu.
29 To play.
30 To stop.
31 To rewind.
32 To fast-forward.
33 To record, press while pressing REC.

Operating a DVR (Digital video recorder)

- 3 To call up the title of the recorded program.
4 To switch the output of the SAT receiver to the TV.

- 6 To turn on the display.
8 To move the cursor upward, downward, to the left, or to the right.
9 To call up the MENU display.

- 10 To record, press while pressing REC.
11 To stop.
12 To pause.

- 13 To change the channel.
14 CH+: Channel up.
15 CH-: Channel down.
16 To exit the setting menu.

- 17 To bring up Master Guide.
18 To bring up Master Guide.
19 To bring up the Station Index when a program guide is not displayed.

- 20 To play.
21 To rewind.
22 To fast-forward.
23 To record, press while pressing REC.

- 24 To operate the Picture-in-Picture function.
25 To operate SLEEP function on the TV.
26 To operate JUMP, FLASHBACK or CHANNEL RETURN function on the TV.

- 27 To change the channel.
28 To move the cursor upward, downward, to the left, or to the right.
29 To call up the MENU display.

- 30 To record, press while pressing REC.
31 To stop.
32 To pause.

- 33 To change the channel.
34 CH+: Channel up.
35 CH-: Channel down.
36 To exit the setting menu.

- 37 To bring up Master Guide.
38 To bring up Master Guide.
39 To bring up the Station Index when a program guide is not displayed.

- 40 To play.
41 To rewind.
42 To fast-forward.
43 To stop.
44 To pause.

- 45 To operate the Picture-in-Picture function.
46 To operate SLEEP function on the TV.
47 To operate JUMP, FLASHBACK or CHANNEL RETURN function on the TV.

Operating a digital cable box

- 3 To use the "FAVORITE" function.
4 To switch the output of the SAT receiver to the TV.

- 6 To turn on the display.
8 To move the cursor upward, downward, to the left, or to the right.
9 To call up the MENU display.

- 10 To record, press while pressing REC.
11 To stop.
12 To pause.

- 13 To change the channel.
14 CH+: Channel up.
15 CH-: Channel down.
16 To exit the setting menu.

- 17 To bring up Master Guide.
18 To bring up Master Guide.
19 To bring up the Station Index when a program guide is not displayed.

- 20 To play.
21 To rewind.
22 To fast-forward.
23 To record, press while pressing REC.

- 24 To operate the Picture-in-Picture function.
25 To operate SLEEP function on the TV.
26 To operate JUMP, FLASHBACK or CHANNEL RETURN function on the TV.

- 27 To change the channel.
28 To move the cursor upward, downward, to the left, or to the right.
29 To call up the MENU display.

- 30 To record, press while pressing REC.
31 To stop.
32 To pause.

- 33 To change the channel.
34 CH+: Channel up.
35 CH-: Channel down.
36 To exit the setting menu.

- 37 To bring up Master Guide.
38 To bring up Master Guide.
39 To bring up the Station Index when a program guide is not displayed.

- 40 To play.
41 To rewind.
42 To fast-forward.
43 To stop.
44 To pause.

- 45 To operate the Picture-in-Picture function.
46 To operate SLEEP function on the TV.
47 To operate JUMP, FLASHBACK or CHANNEL RETURN function on the TV.

DAV (DVD/Receiver combo)

- 3 To select numbers 10 and above.
4 To change the input mode.
5 VOLUME+: Volume up (DAV).
VOLUME-: Volume down (DAV).

- 6 To show the current play status on the screen.
7 To mute the volume.
8 To move the cursor upward, downward, to the left, or to the right.

- 9 To call up the MENU.
10 To turn the power on/off.
11 Number buttons: To set items selected on the screen.
12 To enter the setting.

- 13 CHANNEL +: Presetting or turning frequency to a higher +.
14 CHANNEL -: Presetting or turning frequency to a lower -.
15 To switch the subtitle.
16 To display the Top Menu.
17 To change the sound.
18 To enter the selection of the MENU display.

- 19 To play.
20 To rewind.
21 To fast-forward.
22 To stop.
23 To pause.

The CE mark on the unit is valid only for products marketed in the European Union.

Troubleshooting

- If you have problems setting up or using the Commander:
• When setting up the Commander, carefully go through the procedures described in "Setting the Code."
• Check that you're aiming the Commander directly at the component, and that there are no obstructions between the Commander and the component.

For the customers in the U.S.A.

Customer Support Information
If - after you've read through this manual - you still cannot get the Remote Commander to work properly, call the Sony Customer Support Helpline at 1-800-822-2217.

Component code numbers / Números de código de componentes

English

Table with 2 columns: Brand, Code No. Rows include Hamlin/Regal, Jerrold/G.I, Oak, Panasonic, Pioneer, Scientific Atlanta.

TV/VCR/COMBO*
The left row of the table shows the brand, the center row shows the component (TV, VCR or COMBO) and the right row shows the code No.

Digital cable box/Decodificador digital

Table with 2 columns: Brand, Code No. Rows include Sony, Jerrold/G.I, Motorola, Panasonic, Philips, Scientific Atlanta.

TV/VCR/COMBO*
La fila izquierda de la tabla muestra la marca, la central el componente (televisor (TV), videogradora (VCR) o COMBO), y la derecha el número de código.

SAT

Table with 2 columns: Brand, Code No. Rows include DirecTV, Sony, Hitachi, Hughes, Panasonic, RCA/Proscan, Toshiba.

To set a Component Code (see the instruction manual for details)
Para introducir un código de componente (consulte los detalles en el manual de instrucciones)

Table with 2 columns: Brand, Code No. Rows include Sony, Aiwa, Cyber Home, Daewoo, Denon, Emerson, Harman/Kardon, Hitachi, ILO, JVC, KLH, Magnabox, Onkyo, Orion.

DVR (Digital Video Recorder)/DVR (Videogradora digital)
Tivo

Table with 2 columns: Brand, Code No. Rows include Sony, Philips, Magnabox, Onkyo, Orion, Panasonic, Pioneer, RCA, Samsung, Sanyo, Sharp, Shinco, Symphonic, Sylvania, Terapin, Thomson, Toshiba, Yamaha, Zenith.

Table with 2 columns: Brand, Code No. Rows include Sony, Philips, Magnabox, Onkyo, Orion, Panasonic, Pioneer, RCA, Samsung, Sanyo, Sharp, Shinco, Symphonic, Sylvania, Terapin, Thomson, Toshiba, Yamaha, Zenith.

DAV (DVD/Amplifier) DAV (DVD/amplificador)
Brand Code No. Rows include Sony, JVC, Onkyo, Panasonic, SamsUNG.

